

Ceiling Mount Bracket - INSX300

Material: Aluminum

Dimensions: 133mm x 220mm

Color: White

Type of Installation: Ceiling

Net Weight: 0.75kg

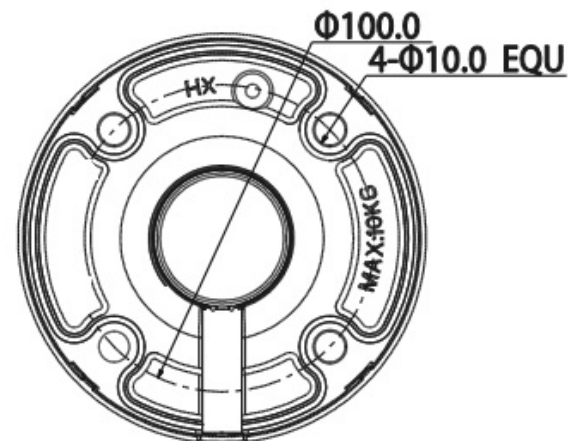
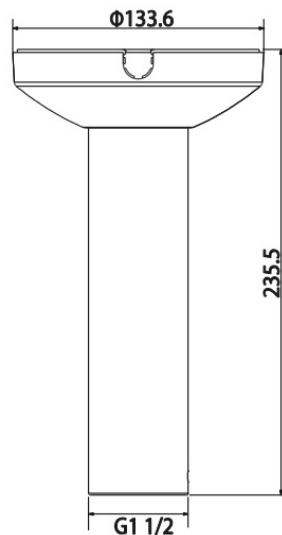
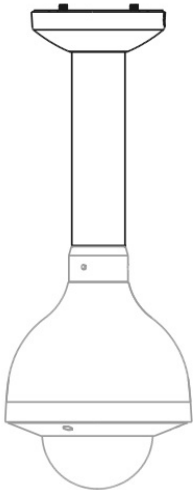
Load Bearing Capacity: 7kg

Work with: INSX101



Dimensions (mm)

Applications



Work with:



INSX101